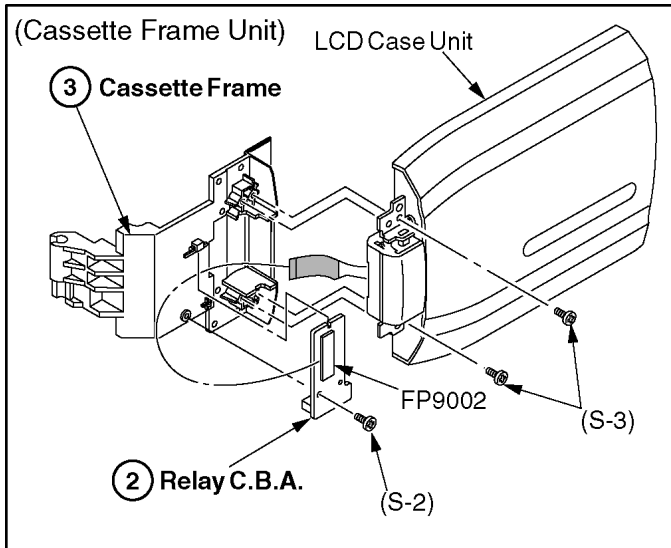


6.1.3.2. Relay C.B.A., Cassette Frame



Reassembly Note:

When installing the Relay C.B.A. and the Cassette Frame, connect the LCD F.P.C. to Connector FP9002 on Relay C.B.A. as shown.

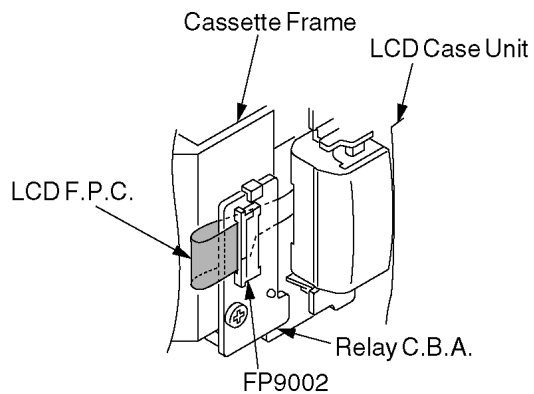


Fig. D7-2

6.1.3.3. LCD Case Ass'y

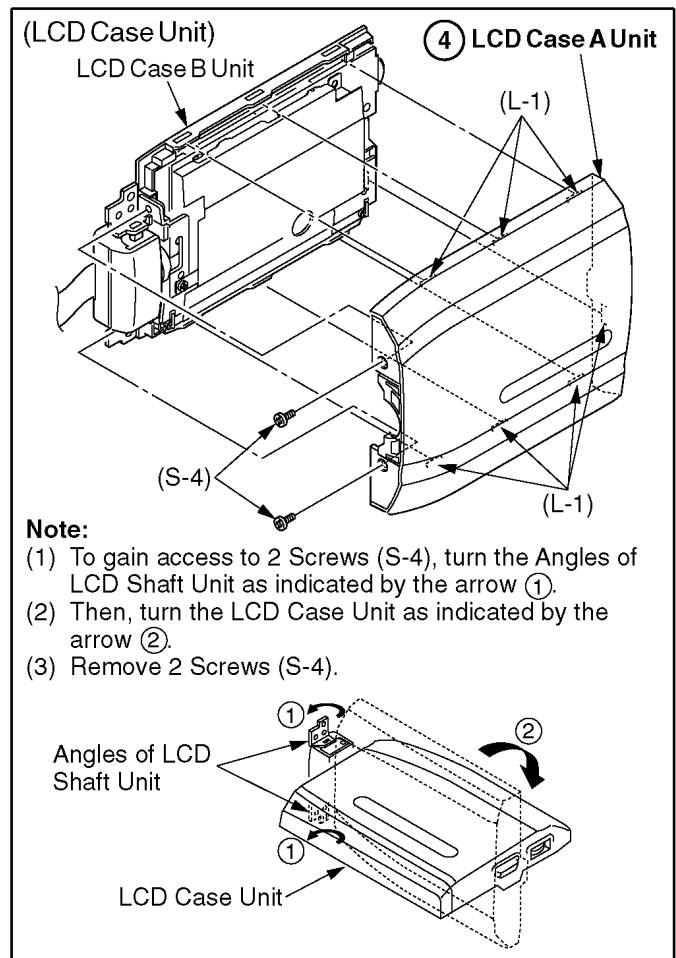


Fig. D7-3

6.1.3.4. LCD Shield Case, LCD Shaft Unit, LCD Case B

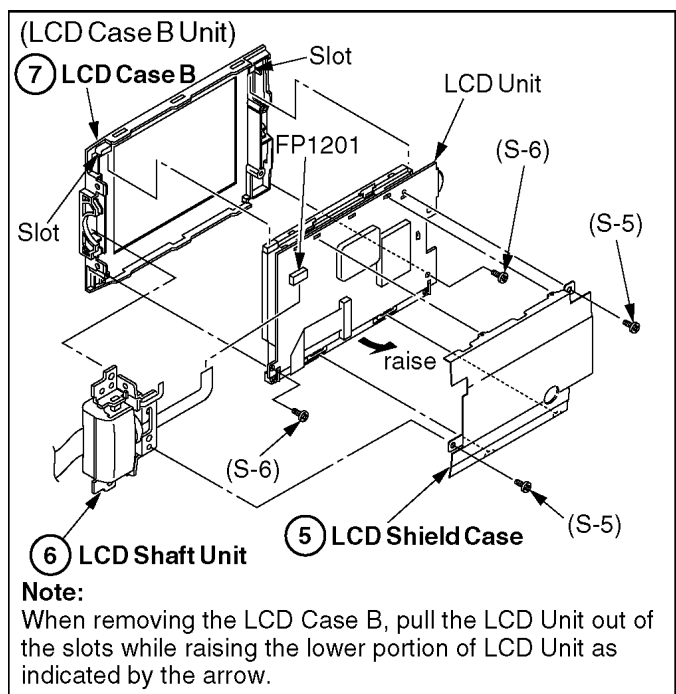
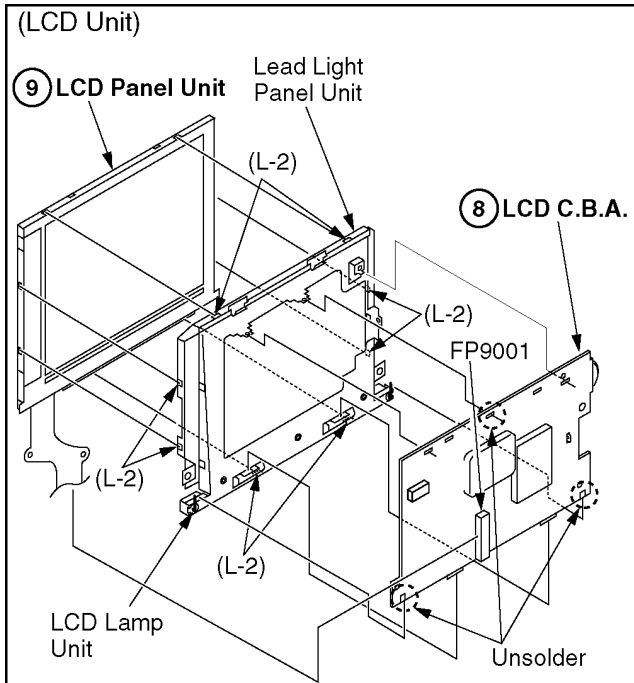


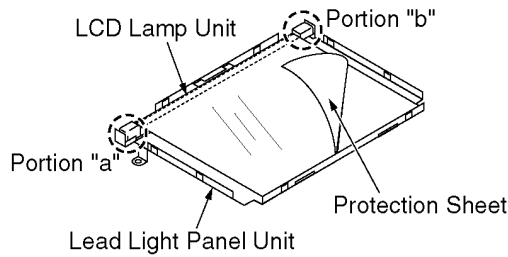
Fig. D7-4

6.1.3.5. LCD C.B.A., LCD Panel Unit



Reassembly Note:

- (1) When replacing the Lead Light Panel Unit, make sure to remove Protection Sheet as shown below.
- (2) Use extreme care when handling the Lead Light Panel Unit and the LCD Panel Unit to avoid damage, dust, and spots (especially fingerprints, etc.). The use of clean cotton gloves when available is highly recommended.
- (3) Be careful not to apply any pressure to Portion "a" and "b" of the LCD Lamp Unit as shown below.



- (4) After replacing the Lead Light Panel Unit, confirm that the Terminal of LCD Lamp Unit is soldered correctly as shown below.

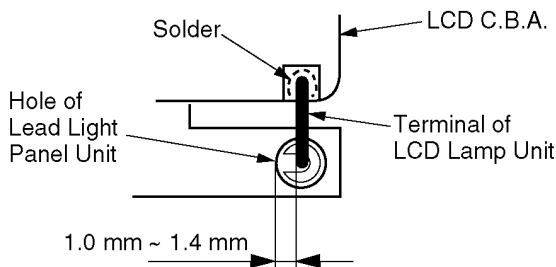
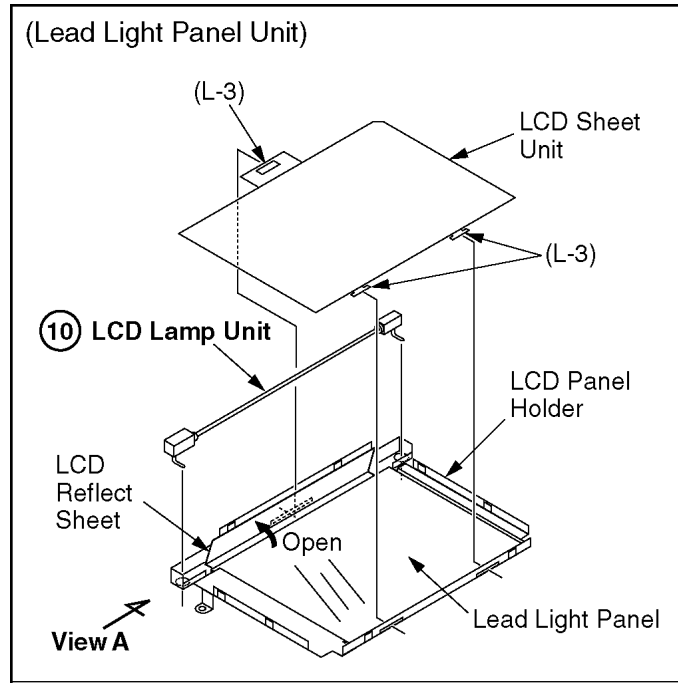


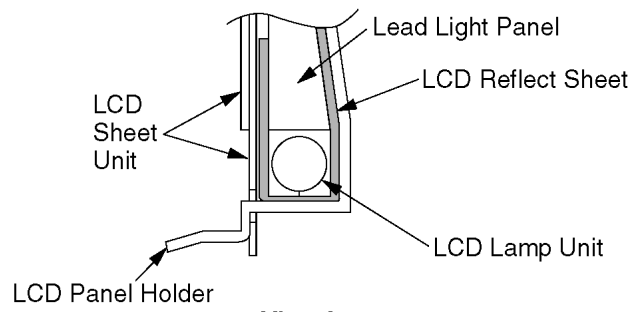
Fig. D7-5

6.1.3.6. LCD Lamp Unit



Reassembly Note:

- (1) When installing the LCD Lamp Unit, confirm that the LCD Lamp Unit is positioned as shown below.
- (2) Use extreme care when handling the Lead Light Panel and the LCD Sheet Unit to avoid damage, dust, and spots (especially fingerprints, etc.).



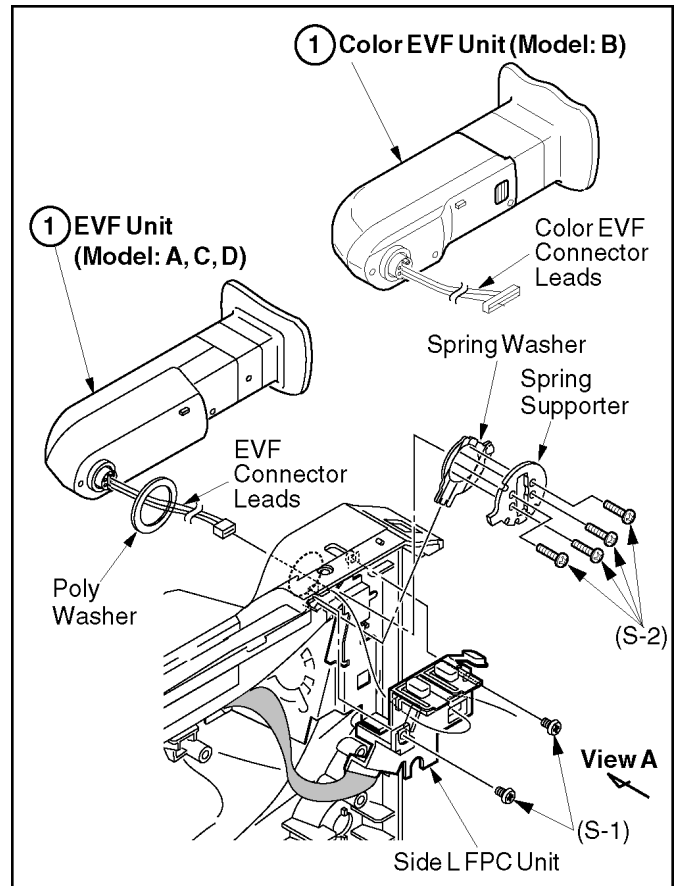
View A

Fig. D7-6

6.1.4. SIDE CASE L PORTION

STEP /LOC. No.	PART	Fig. No.	REMOVE
①	EVF Unit (Color EVF Unit)	D8-1	2(S-1), 4(S-2), Spring Supporter, Spring Washer, Poly Washer
②	Side L FPC Unit	D8-2	(S-3), 3(S-4), 2(L-1), Arm, Arm Holder
③	PC Jack C.B.A.	D8-3	2(S-5)
④	TV Tuner Jack C.B.A.	D8-3	(S-6)

6.1.4.1. EVF Unit (Color EVF Unit)



Reassembly Note:

After installing, confirm that EVF or Color EVF Connector Leads are set correctly on the Side L FPC Unit as shown.

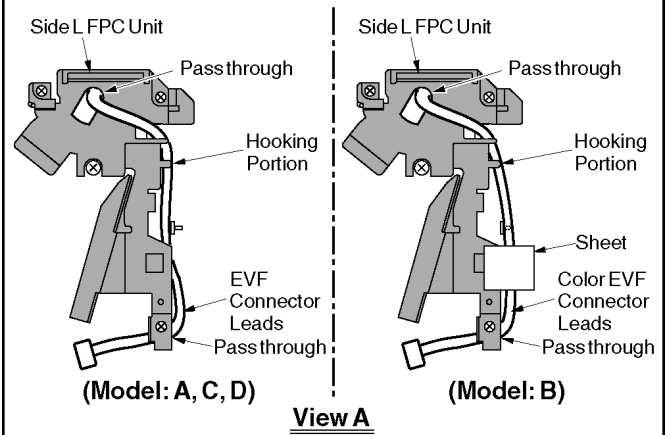


Fig. D8-1